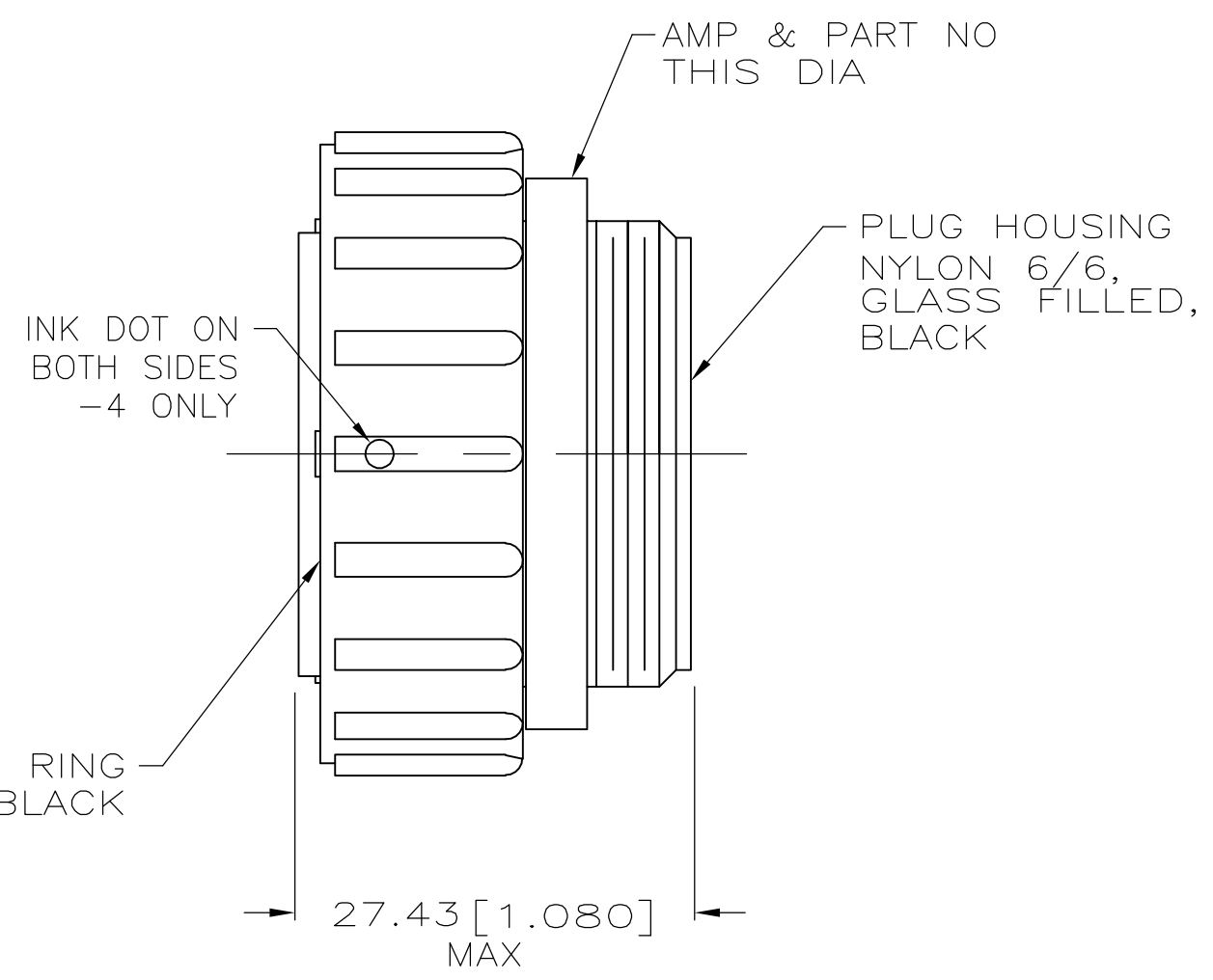
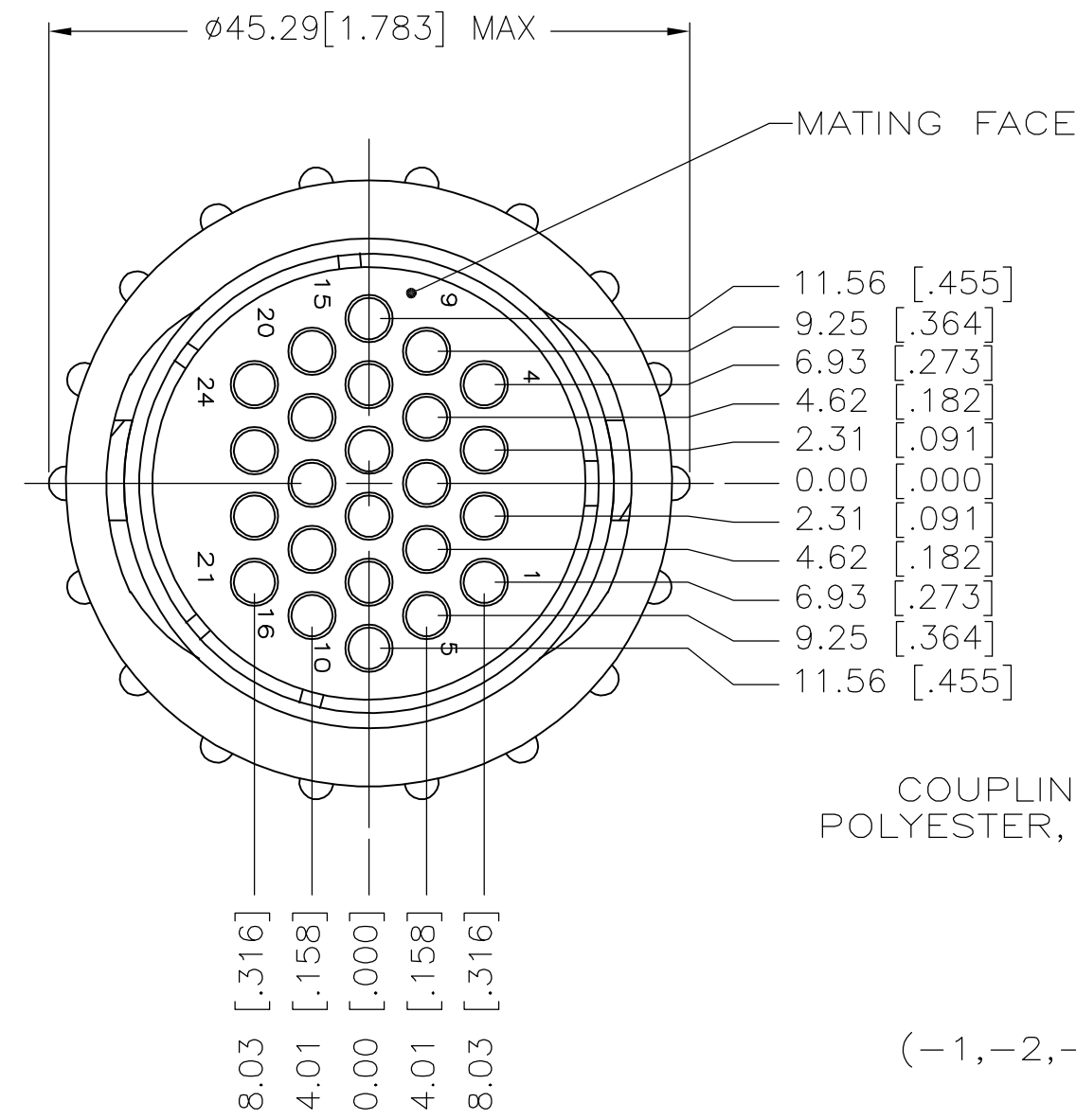
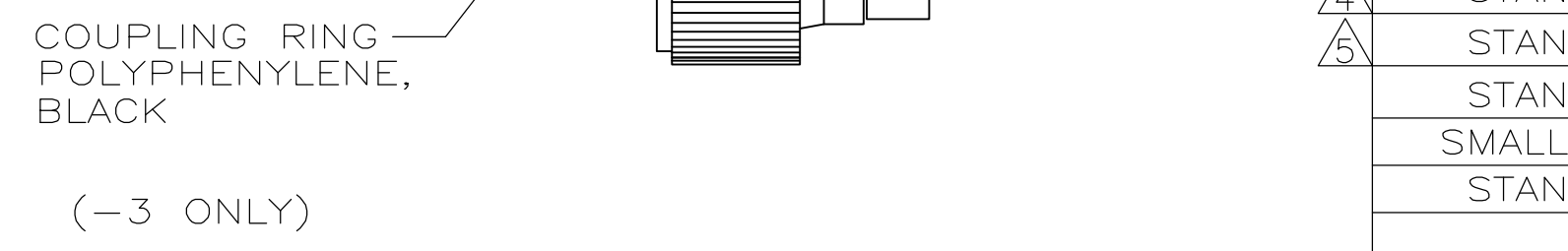
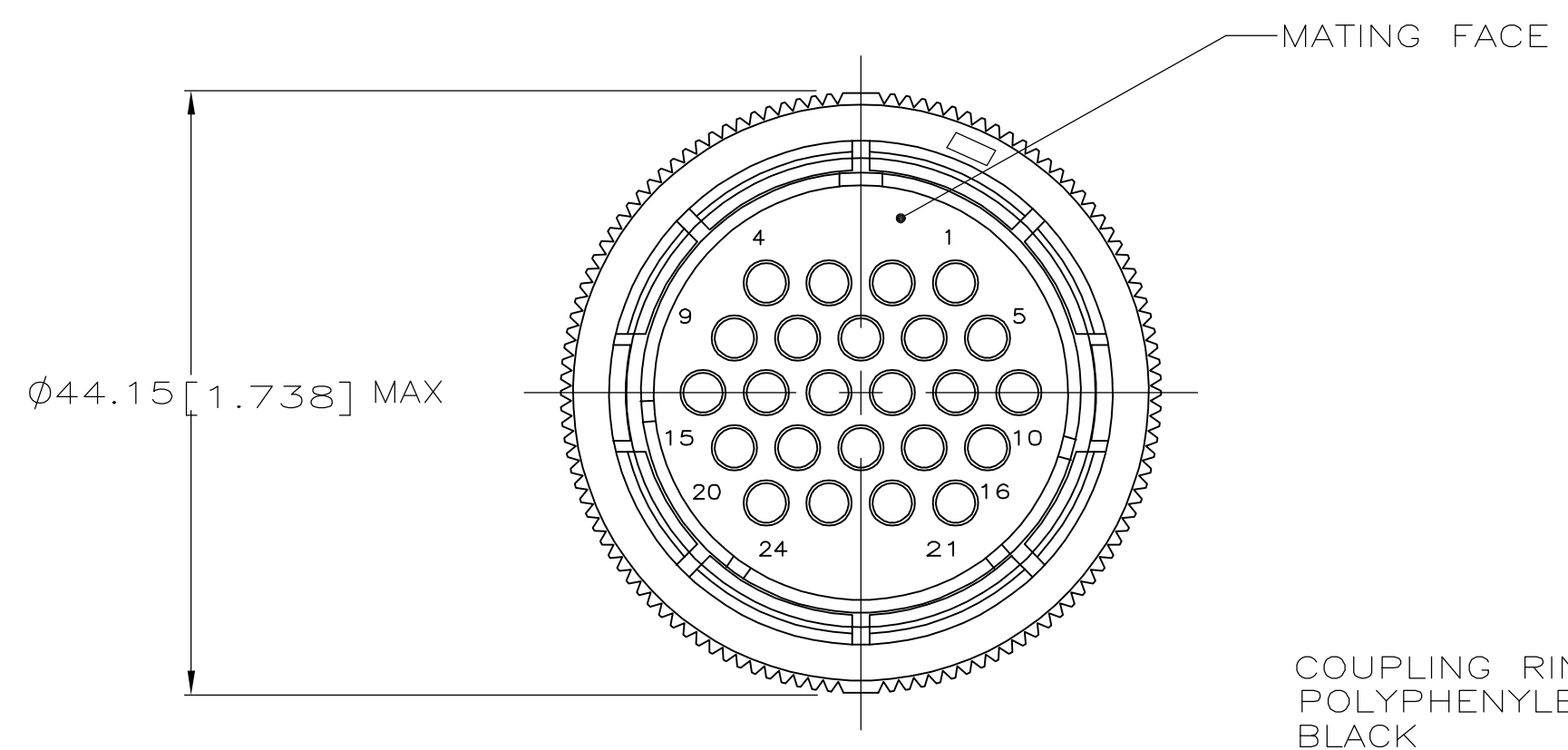


THIS DRAWING IS UNPUBLISHED. RELEASED FOR PUBLICATION
 © COPYRIGHT BY TYCO ELECTRONICS CORPORATION. ALL RIGHTS RESERVED.

LOC		DIST		REVISIONS			
P	LTR	DESCRIPTION		DATE	DWN	APVD	
		G1		REVISED PER ECO-06-831	1/12/06	SS	GS



(-1, -2, -4 & -5 ONLY)



(-3 ONLY)

- CONNECTOR WILL ACCEPT (24) MULTIMATE SOCKET CONTACTS.
 - MAXIMUM INSULATION NOT TO EXCEED .150 DIA.
 - CONTACT CAVITIES IDENTIFIED BY CHARACTERS ON FRONT AND REAR FACE OF CONNECTOR.
- ④ WHITE DOT NEAR POSITION 1 ON WIRE ENTRY FACE.
- ⑤ PRELIMINARY PART NUMBER.

④	STANDARD	206837-5
⑤	STANDARD	206837-4
	STANDARD	206837-3
	SMALL PACK	206837-2
	STANDARD	206837-1
	PACKAGING	PART NUMBER

THIS DRAWING IS A CONTROLLED DOCUMENT.		DWN S. RIDGLEY BG 31 JUL 90	Tyco Electronics Corporation Harrisburg, PA 17105-3608	
DIMENSIONS: mm [INCHES]		CHK R. STONE 26 APR 91		
TOLERANCES UNLESS OTHERWISE SPECIFIED:		APVD K. BEAVER 03 APR 91	NAME	
0 PLC ± -		PRODUCT SPEC 108-10024	PLUG ASSEMBLY, SHELL SIZE 23, STANDARD SEX, SERIES 1, CPC	
1 PLC ± -		APPLICATION SPEC	SIZE A2	CAGE CODE 00779
2 PLC ± -		WEIGHT -	DRAWING NO C=206837	RESTRICTED TO -
3 PLC ± -			SCALE 2:1	SHEET 1 of 1
4 PLC ± -				REV G1
4 PL ANGLES ± -				
FINISH -				
MATERIAL SEE CALLOUT		CUSTOMER DRAWING		